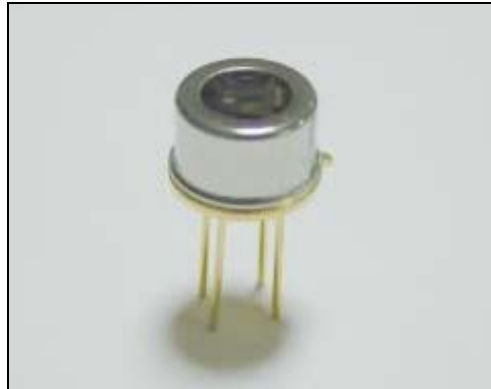


STS Pressure Sensor



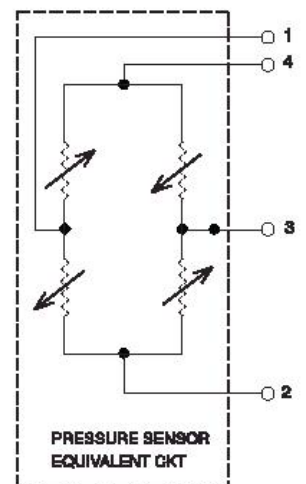
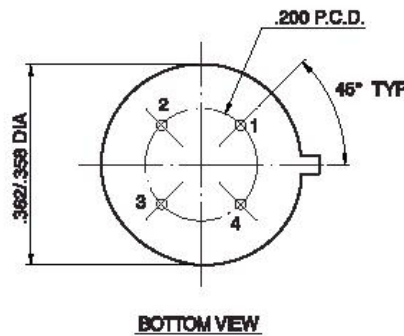
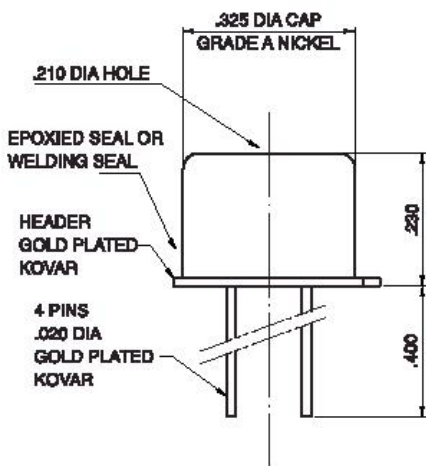
FEATURES

- Low Cost Sensor Element
- Solid State Reliability
- Absolute Pressure
- Constant Voltage or Constant Current Drive

APPLICATIONS

- Altimeters
- Weather Station
- Pneumatic Control
- Cable Fault Detection

DIMENSION



PIN#	PIN OUT
1	Vs-
2	Out+
3	Vs+
4	Out -

Parameter	Value	Units	Notes
General			
Pressure Range	15 / 30 / 100	Psi	
Maximum Overpressure	3X		rated pressure
Electrical @25°C (77°F) unless otherwise specified			
Excitation	3	VDC	
Input Impedance	4~6	kΩ	
Output Impedance	4~6	kΩ	
Environmental			
Operating Temperature Range	-40~+125	°C	-40 °F ~+257°F
Storage Temperature Range	-40~+125	°C	-40 °F ~+257 °F
Mechanical			
Media Compatibility	Clean, dry air & noncorrosive gases		
PERFORMANCE⁽¹⁾			
Zero Offset	$\pm 30/\pm 30/\pm 10$	mV/V	
Span	$145\pm 30/60\pm 20$ $/60\pm 20$	mV	
Bridge Resistance	4~6	kΩ	
Linearity	$\pm 0.3/\pm 0.3/\pm 0.2$	% Span	
Hysteresis	± 0.1	% Span	
Temperature Coefficient of Zero Offset	-0.08~+0.08	% Span/°C	
Temperature Coefficient of Span	<-0.15/ <-0.15/-0.2	%Span/°C	
Notes: 1. All values are Minimum/Maximum and are measured at 3 VDC and 25°C unless otherwise specified.			
2. Best fit straight line.			
3. Between -20 °C and 100 °C. Temperature coefficients are typical values.			