

# 錫麟企業有限公司 Sencera Co. Ltd. Data

Tel:886-2-27046595 Fax:886-2-27041279 Email:justinel@ms14.hinet.net

P.O.Box 117-297, Taipei, Taiwan, ROC. <http://welcome.to/sencera> <http://sencera.tw.to>

## 808 Full range 1~99%RH humidity sensor

### Applications

Measurement meter, control system  
Printer, Humidifier, De-humidifiers  
Air-conditioners, VCR, Camcorder  
Automobile, Defroster

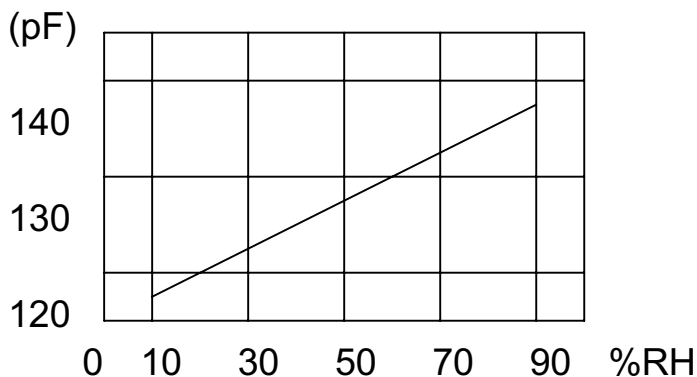
### Features

Linear & quickly response  
Longtime reliability  
Low cost  
Capacitive type

### Specifications

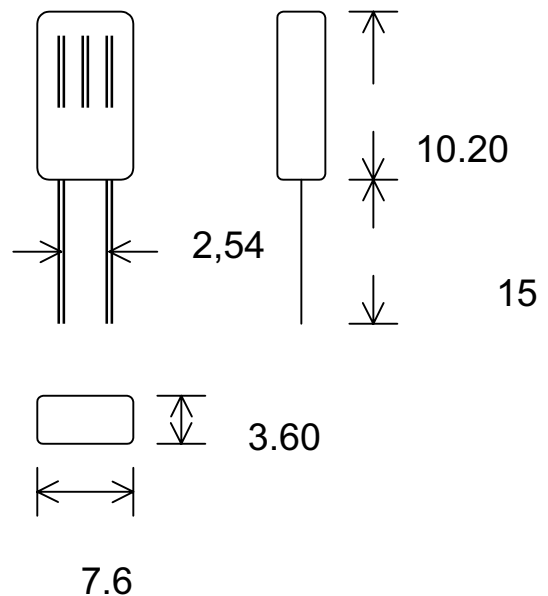
Operating range	1~99% RH
Operating voltage	< 12VDC
Operating frequency	1~20KHz
Typical capacitance	122pF±5% at 33%RH
Capacitance change	2.5pF / 10 %RH
Hysteresis	< 2 %RH
Temperature dependence	-0.4pF / 10 °C
Linearity	± 1 %RH (10~90%RH)
Operating temperature range	- 20 °C ~ +60 °C
Storage condition	1~99 %RH, -10 ~ +50 °C

### Response drawing



### Dimensions

Unit: mm

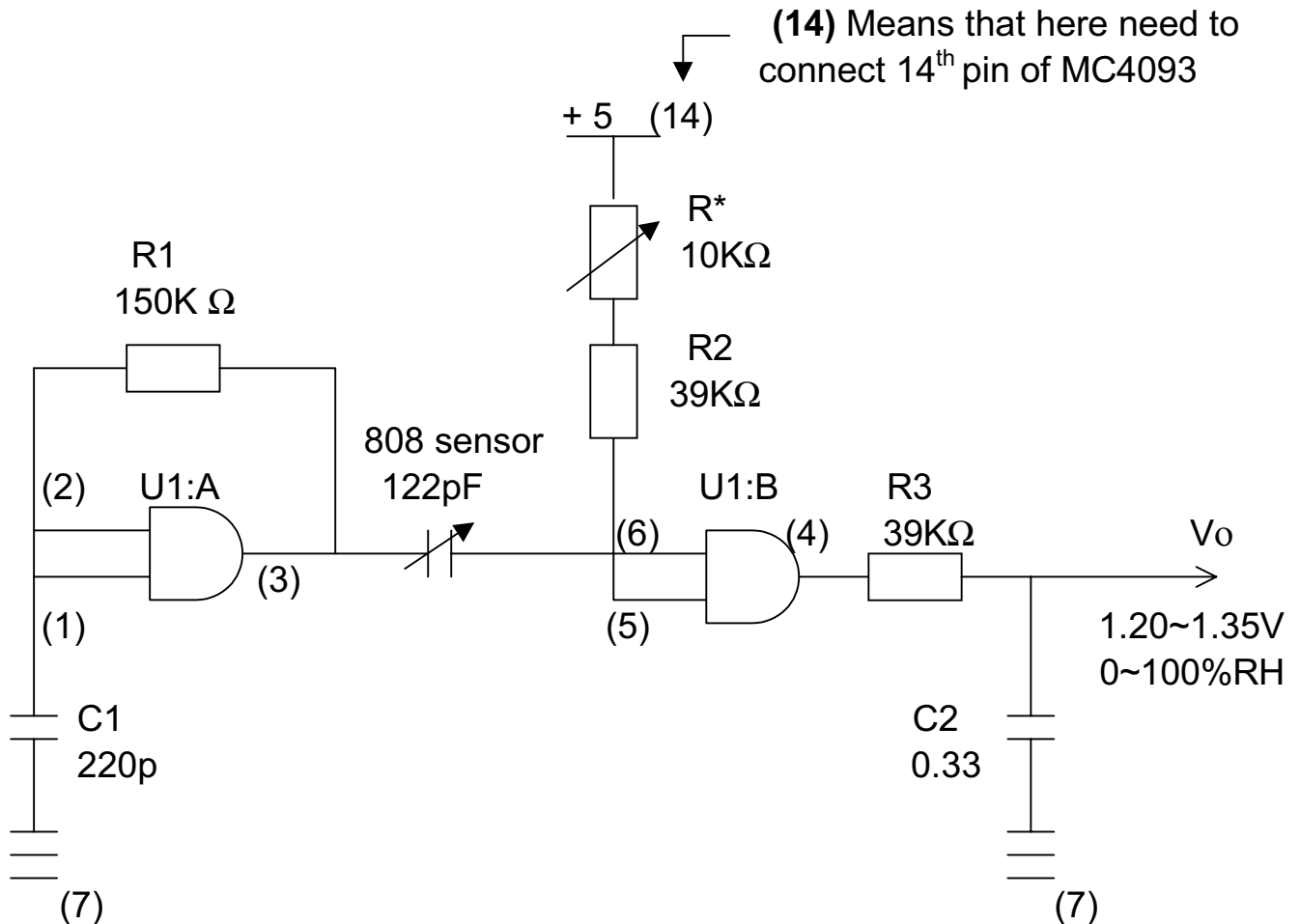


# 錫麟企業有限公司 Sencera Co. Ltd. Data

Tel:886-2-27046595 Fax:886-2-27041279 Email:justinel@ms14.hinet.net

P.O.Box 117-297, Taipei, Taiwan, ROC. <http://welcome.to/sencera> <http://sencera.tw.to>

## Reference circuit



### The circuit for 808 sensor with MC4093 IC

The mentioned circuit is typical 808 humidity sensor's RH measurement circuit. Base on the MC4093 schmitt trigger IC. R1, C1 and U1:A form a oscillator and variable pulse width generator consisting of R2, R\*, 808 and U1:B. The pulse width of U1:B is controlled by the 808 humidity sensor linear's capacitance. From the circuit, the DC output signal (Vo) would be get from R3 and C2 filtering circuit. Vo will change from 1.20V to 1.35V linearity when relative humidity change from 0% RH to 100%RH.

We also mark how to connect the 4093 IC pin in the mentioned circuit as the mark of (No.).

The mentioned circuit can be connected with an amplifying circuit and temperature adjusting circuit in order to get the high accuracy measurement.